



## SPECIFICATION

A-0

1

2017-11-14

CUSTOMER NAME : SONIKCELL CO.,LTD

# Specification

SPCB PH2548IP-3 CELL



# SPECIFICATION

A-0

2

2017-11-14

## CONTENTS

- 1、 modified list
- 2、 specifications
- 3、 pad definition
- 4、 circuit diagram
- 5、 BOM
- 6、 packing and shipping





# SPECIFICATION

A-0

4

2017-11-14

## 2. specification

2. 1 using scope: SPCB PH2548IP-3 CELL

2. 2 battery capacity:

2. 3 environment request: ROHS

2. 4 function description

2. 5 electric features:

: 25 °C

IC	Item name	parameter value			
		min	type	max	unit
	over charge protect ovlage	4.225	4.250	4.275	V
	over charge release voltage	4.050	4.150	4.250	V
	over current detect voltage	-0.225	-0.200	-0.175	V
	charge over current protect current	-11.0	-8.0	-5.0	A
	discharge protect voltage	2.600	2.700	2.800	V
	over discharge release voltage	2.900	3.000	3.100	V
	over current detect voltage	0.175	0.200	0.225	V
	discharge over current protect current	5.0	8.0	11.0	A
	over charge detect delay time	0.50	1.00	1.50	s
	over discharge detect delay time	50	100	150	ms
	over curent detect delay time	5	10	15	ms
	short circuit protect delay time	100	200	300	μs
	standby current in normal	10	30	40	μA
	standby current in over discharge	0.01	3.0	4.0	μA
	impedance	-	-	70	mΩ
	(B+ B-) input voltage	-0.3	-	30	V
	max constant charge current	-	-	4.0	A
	max constant discharge current	-	-	4.0	A
	working temperature	-20	-	85	°C
	storage condition	-55	-	125	°C
	0V charge	-	possible	-	



# SPECIFICATION

A-0

5

2017-11-14

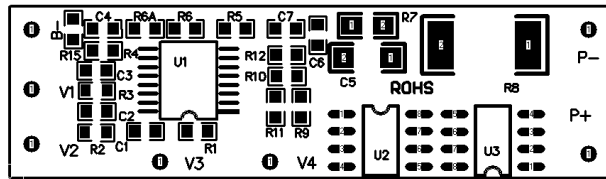
2. 6

- Humidity test :  $+40\pm 2$  °C 90%RH 48Hours High temperature test :  $+55\pm 2$  °C 2Hours
- Low temperature test :  $-20\pm 2$  °C 16Hours

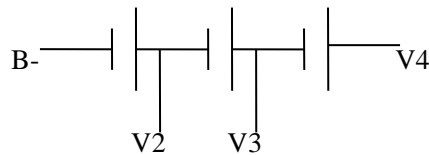
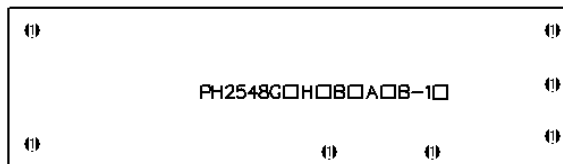
ESD test : Normal operation in all parts at  $\pm 4$ KV (contact)  $\pm 8$ KV (AIR) condition

3、pad description

PCB layout



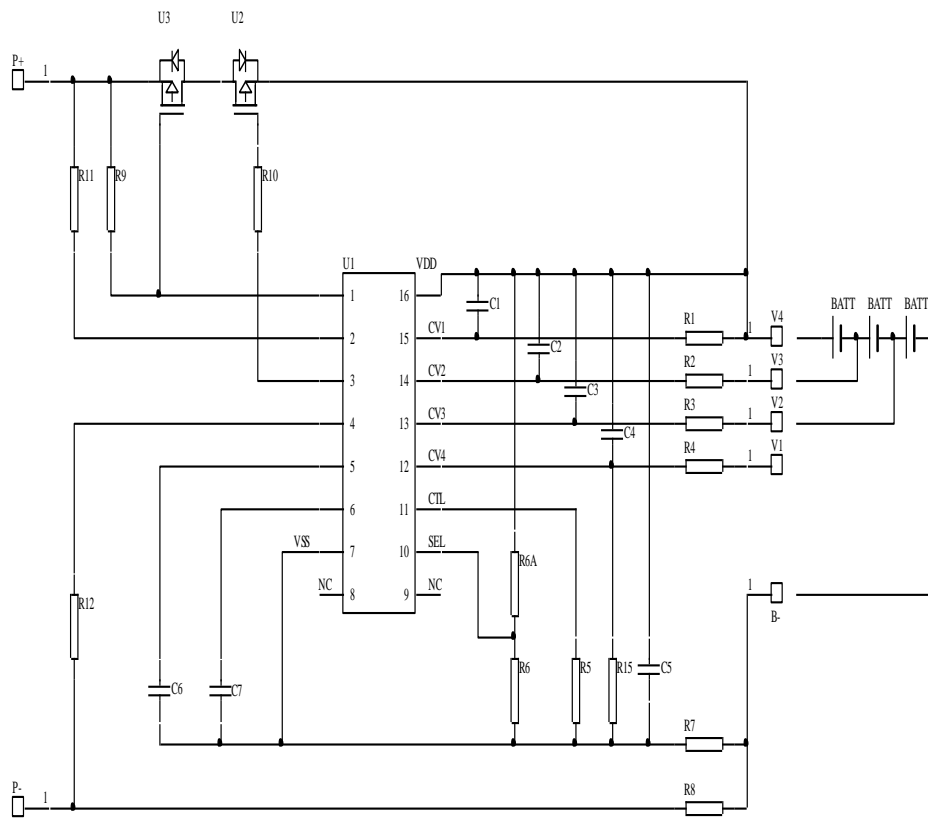
PCB: PH2548 44\*12.5-0.8



symbol	description	symbol	description
P+	Battery output / charging positive pole		
P-	Battery output / charging negative pole		

4. Circuit diagram

4.1 circuit diagram



## 5. parts list

No.	description		symbol	Spec./model	unit	Q'ry
1	PCB	PCB		PH2548	pcs	1.0000
2		reisor	R1R2R3	510Ω 0603 5%	pcs	3.0000
3		resistor	R5R6R12	10K 0603 5%	pcs	3.0000
4		reisor	R7	51Ω 0805 5%	pcs	1.0000
5		resistor	R8	0.025Ω 2512	pcs	1.0000
6		resistor	R9	1MΩ 0603 5%	pcs	1.0000
7		resistor	R10R11	5.1K 0603 5%	pcs	2.0000
8		capacitor	C1C2C3	224 50V Y5V 0603	pcs	3.0000
9		capacitor	C5	225 50V Y5V 1206	pcs	1.0000
10		capacitor	C6C7	104 50V X7R 0603	pcs	2.0000
11	IC	IC	U1	IP3254ACV	pcs	1.0000
12	MOS	MOSFET	U2U3	AO4407A SO-8	pcs	2.0000
13		resistor	R15	0Ω 0603 5%	pcs	1.0000
14						
15						
16						
17						
18						
19						
20						

### PCB:

- FR4/0.8mm
- size (PCB): 44\*12.5mm





## SPECIFICATION

A-0

9

2017-11-14

### 6. packing and shipping

#### 6.1 packing

Product packed by ESD air bubble film ,put into ESD packer ,put into box.

#### 6.2 storhouse

6.3 Delivery to your storhours by express or our deliverman

6.4 Pls avoid moisture , humidity , extrusion , hitting so as to prevern pcm damaged during shipping.