



Specification of PCB 14.8V-(Constant 5A)

1. PCB technical data

$T_{opt}=25^{\circ}C$

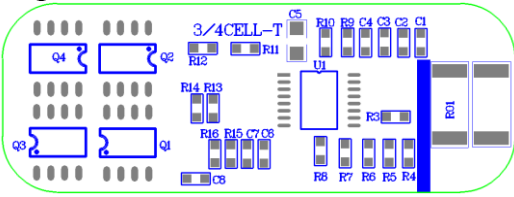
Item name		Content	standard
Over charge protect	V_{DET1}	detect voltage	$4.25\pm 0.03V$
	tV_{DET1}	deay time	1500ms (MAX)
	V_{REL1}	release	$4.15\pm 0.05V$
Over discharge protect	V_{DET2}	detect voltage	$2.7V\pm 0.05V$
	tV_{DET2}	delay	150ms (MAX)
	V_{REL2}	release	$3.0V\pm 0.05V$
Over current protect	V_{DET3}	detect votlage	$200\pm 15mV$
	I_{DP}	protect current	5-15A (constant 5A)
	tV_{DET3}	delay time	15ms (MAX)
		release	stop loading
Short circuit protect		condition	outer short circuit
	T_{SHORT}	delay time	$300\mu s$ (MAX)
		release	stop short circuit
resistor	R_{DS}	resistor	$R_{DS}\leq 100m\Omega$
consupcion current	I_{DD}	comsuption	$\leq 40\mu A$
0V charge		allow	

2. part list

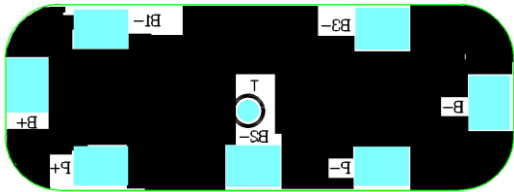
3. PCB

No.	description	vendor	symbol	Spec./model	unit	Qty
1.	PCB			3/4CELL-A	PCE	1
2.		GJ	C1, C2, C3	0.22UF/0603	PCE	3
3.		GJ	C4	2.2UF/0603	PCE	1
4.		GJ	C6	0.01UF/0603	PCE	1
5.		GJ	C7 C5	0.1UF/0603	PCE	2
6.		GJ	C9	2.2UF/0805	PCE	1
7.		GJ	R1R2R3R4	1K/0603	PCE	4
8.		GJ	R5	50R/0603	PCE	1
9.		GJ	R6R7R17	10K/0603	PCE	3
10.		GJ	R9 R11	5K1/0603	PCE	2
11.		GJ	R10	1.5M/0603	PCE	1
12.		GJ	R12	0.01R/2512	PCE	1
13.	IC		U1	S8254AAV	PCE	1
14.	IC	AO	Q1 Q2	AO#4407/SOP-8	PCE	4

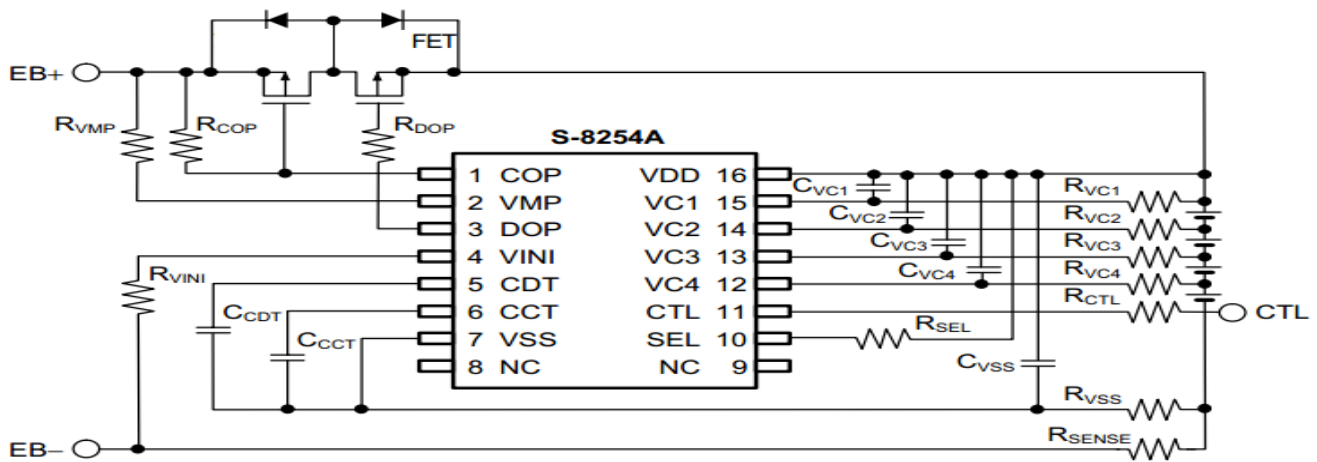
Topview:



Downview:



4. diagram



5. Connection introduction

- | | | |
|---------|---------|---|
| 1、 B+ : | connect | positive of cell 4 |
| 2、 B1-: | connect | positive of cell 3 |
| 3、 B2-: | connect | positive of cell 2 |
| 4、 B3-: | connect | positive of cell 1 |
| 5、 B- : | connect | positive of cell 1 |
| 6、 P+ : | connect | positive output of whole pack or connect charger positive |
| 7、 P- : | connect | positive output of whole pack or connect charger negative |